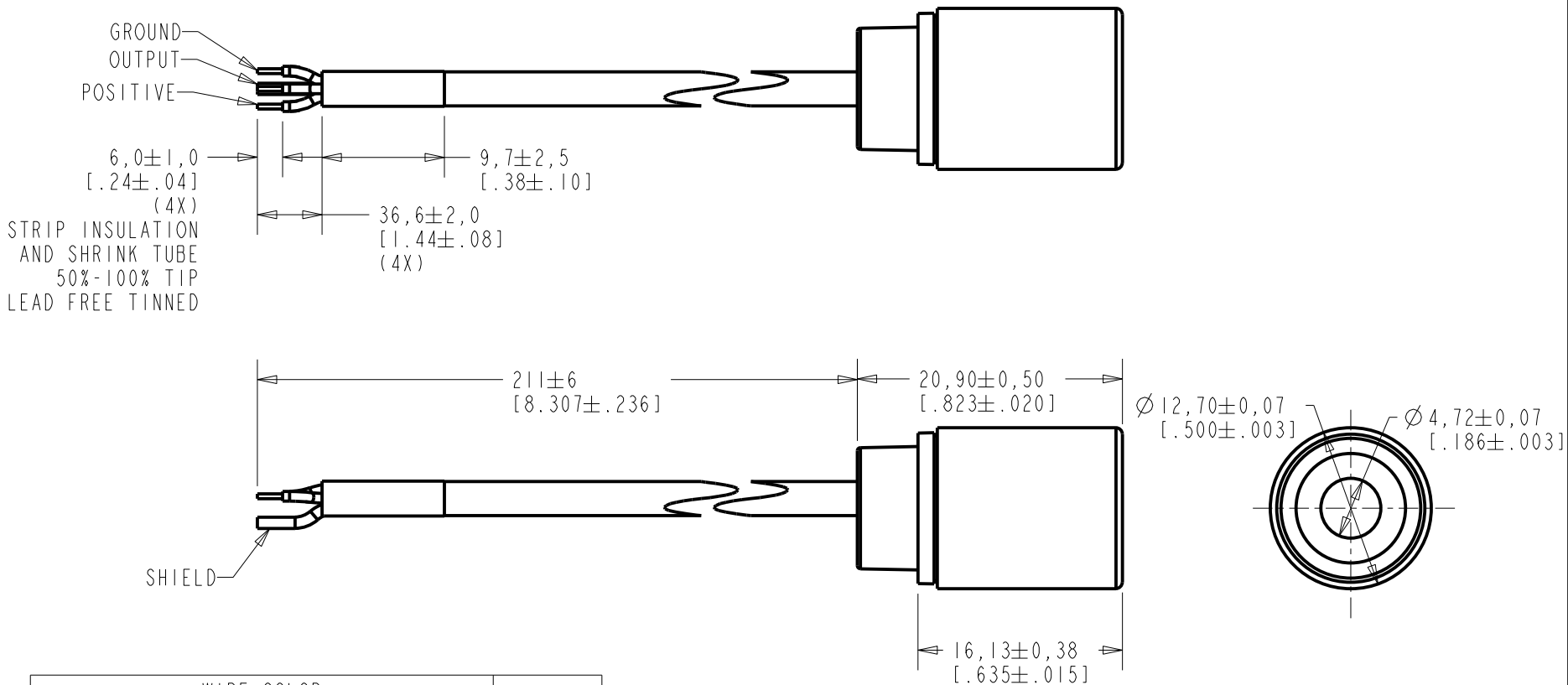


VEK-H-30230-000
SHT 1.1



| WIRE COLOR | | | | WEIGHT GRAMS |
|------------|--------|-------|------------|-----------------|
| +ve | OUTPUT | -ve | SHIELD | |
| RED | WHITE | BLACK | HEATSHRINK | 4.6 |

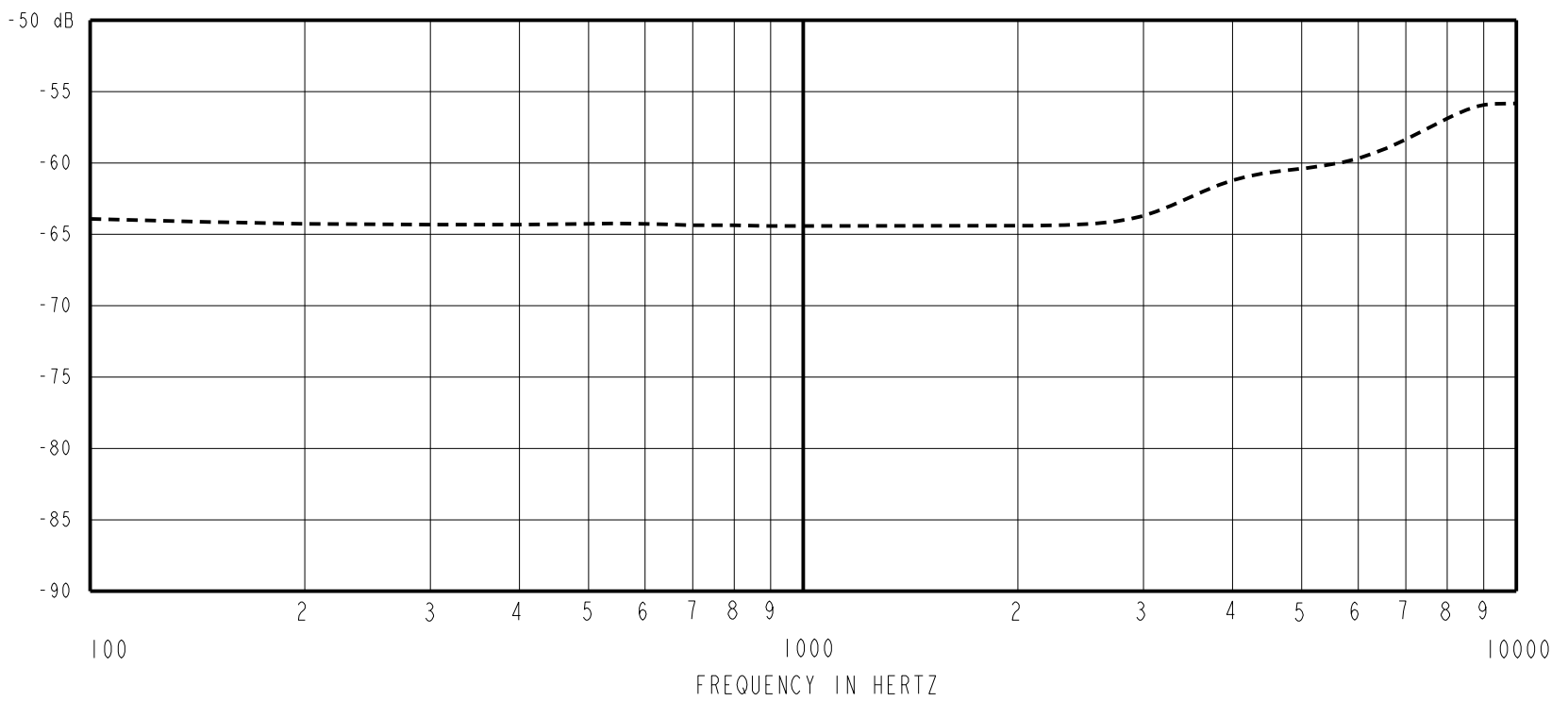
DIMENSIONS IN MILLIMETERS [INCHES]

KNOWLES ELECTRONICS
ITASCA, ILLINOIS U.S.A.

| Revision | C.O. # | Implementation Date | RELEASE LEVEL | REVISION |
|----------|-----------|---------------------|---------------|----------|
| D | C40101472 | 7-2-14 | Active | D |
| B | C10108851 | 8-19-08 | | |
| A | C10106336 | 9-07-07 | | |

| | | | | |
|----------------------|-------------------|------------------------|---------|---------|
| SCALE: | 2:1 | | DR. BY | DATE |
| DO NOT SCALE DRAWING | | | SDZ | 9-07-07 |
| TITLE: | MICROPHONE | VEK-H-30230-000 | CK. BY | DATE |
| OUTLINE DRAWING | | SHT 1.1 | GJP | 9-14-07 |
| | | | APP. BY | DATE |
| | | | GJP | 9-14-07 |

SENSITIVITY IN dB RELATIVE TO 1.0 VOLT/0.1 Pa (N/M²)
FOR CONDITIONS SHOWN BELOW.

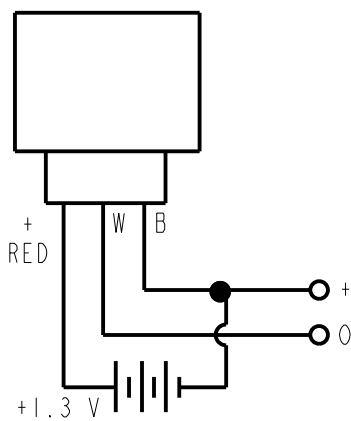


| FREQUENCY | SENSITIVITY | | | DEVICE CONFORMITY | |
|-----------|-------------|-------|-------|------------------------------|-------|
| | MIN. | NOM. | MAX. | RANGE OF DEVIATION FROM 1KHz | |
| 100 | --- | -54.0 | --- | -3.0 | +3.0 |
| 1000 | -57.0 | -54.0 | -51.0 | 0.0 | 0.0 |
| 10000 | --- | -46.0 | --- | +5.0 | +11.0 |

NOTES:

1. CASE CONNECTED TO NEGATIVE TERMINAL.
2. MICROPHONE TO BE FUNCTIONAL WITH 10 VDC SUPPLY.
3. CONFORMS TO REQUIREMENTS SHOWN ON 'ELECTRET MICROPHONE ENVIRONMENTAL QUALIFICATIONS TEST, EK-PA SHEET 2.2' WITH REF. FREQ. 1000 Hz.
4. TYPICAL SENSITIVITY TO HUMIDITY AT 1000 Hz IS 0.02 dB/%RH.
5. SENSITIVITY AND NOISE VALUES INDICATED ON THIS SPECIFICATION ARE VALID AT 50% HUMIDITY.

| DC SUPPLY | AMPLIFIER CURRENT DRAIN | "A" WEIGHTED NOISE (1 kHz EQUIV. SPL) | OUTPUT IMPEDANCE OHMS | | |
|-----------|-------------------------|---------------------------------------|-----------------------|------|------|
| | | | MIN. | NOM. | MAX. |
| 1.3V | N/A | 26.0 dB MAX. | N/A | N/A | N/A |



| Revision | C.O. # | Implementation Date | RELEASE LEVEL | REVISION |
|----------|-----------|---------------------|---------------|----------|
| D | C40101472 | 7-2-14 | Active | D |
| B | C10108851 | 8-19-08 | | |
| A | C10106336 | 9-07-07 | | |

KNOWLES ELECTRONICS
ITASCA, ILLINOIS U.S.A.

WHEN TEST LIMITS ARE USED TO ESTABLISH INCOMING INSPECTION ACCEPTANCE/REJECTION CRITERIA, CORRELATION OF TEST EQUIPMENT WITH KNOWLES IS ALSO REQUIRED FOR ELIMINATION OF EQUIPMENT AND TEST METHOD VARIATION

| | | |
|--------|---------------------------|------------------------|
| TITLE: | MICROPHONE | VEK-H-30230-000 |
| | PERFORMANCE SPECIFICATION | SHT 2.1 |

| | |
|---------|---------|
| DR. BY | DATE |
| SDZ | 9-07-07 |
| CK. BY | DATE |
| GJP | 9-14-07 |
| APP. BY | DATE |
| GJP | 9-14-07 |